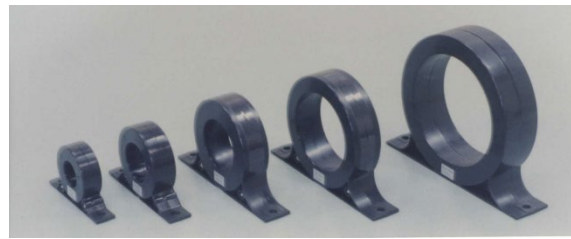


Stand-Alone Type FCR

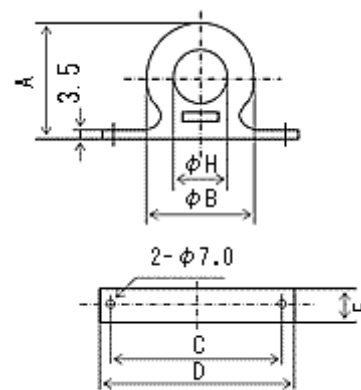


Features

- For Reducing Radiated, Conducted Emission for Inverter, UPS and NC Controlled Equipment
- Useful to make CISPR, FCC, EN etc. compliant
- Large Ferrite Core is enclosed in a PBT (UL94-VO) resin case
- Attachable to various devices with a stand

Specifications

Impedance						
Model	1Coil		5Coil		10Coil	
	150 kHz	1 MHz	150 Hz	1 MHz	150 Hz	1 MHz
FCR47	9 Ω	25 Ω	210 Ω	630 Ω	870 Ω	2500 Ω
FCR60	8 Ω	21 Ω	190 Ω	540 Ω	780 Ω	2150 Ω
FCR78	8 Ω	22 Ω	200 Ω	560 Ω	800 Ω	2270 Ω
FCR78	6 Ω	14 Ω	140 Ω	330 Ω	570 Ω	1330 Ω
FCR128	6 Ω	12 Ω	150 Ω	300 Ω	590 Ω	1190 Ω



Above impedance values are approximate.

Type	Outside Dimension[mm]						Price
	1A	B	C	D	E	H	
FCR47	54	51	75	92	18.5	23.5	TBD
FCR60	67	65	95	112	22	35	TBD
FCR78	85	83	130	146	26	46.5	TBD
FCR96	103	101.5	140	156	28	70.5	TBD
FCR128	135	135	160	176	37	99.5	TBD

- Specifications are subject to change without notice due to improvement
- SunJEM will design products to meet your individual requirements. Please feel free to consult with us for products other than ready-made ones.