

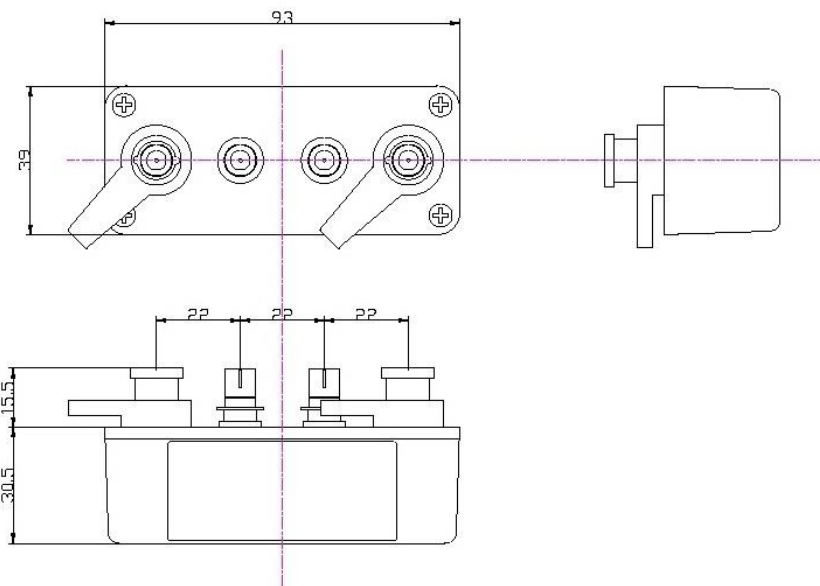
Open/Short Test Fixture



BNC structure connectable to 22mm spacing LCR meter

Specifications

Terminal Structure	BNC Plug with Lever (outside terminals only) Gold Plating on Center Contact
Spacing between Terminals	22 mm
Capacitance *1	Less than 0.0001 pF (9110A)
Inductance *1	Less than 5 nH (9120A)
DC Resistance	Less than 1 mΩ (9120A)
Size (WxDxH)	93mm×39mm×46mm(See Fig.1)
Weight	Approx. 130 g



*1 Value at 1 kHz

*2 Value for 4-Terminal Measurement (DC)

- Specifications are subject to change without notice due to improvement
- SunJEM will design products to meet your individual requirements. Please feel free to consult with us for products other than ready-made ones.